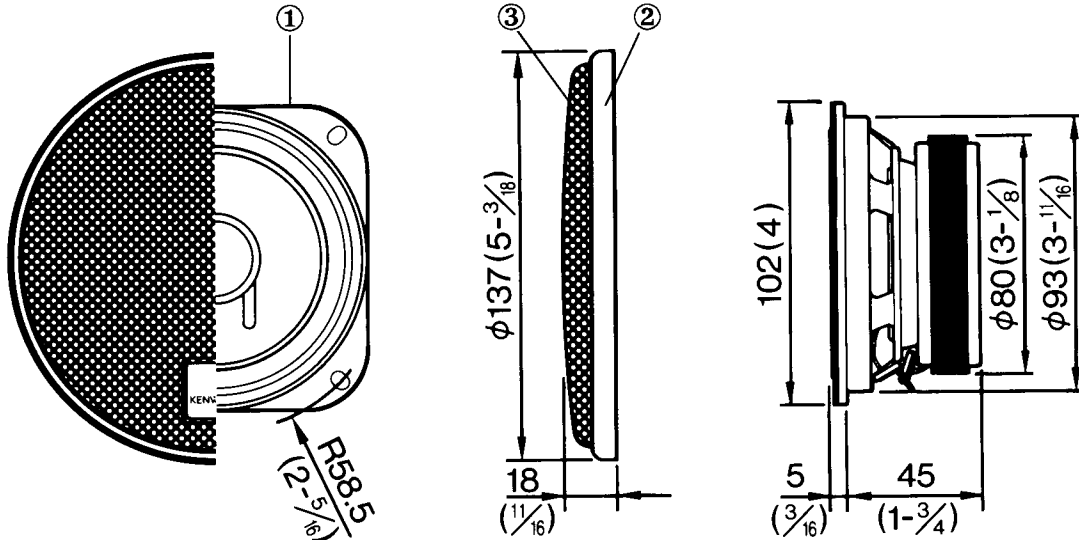


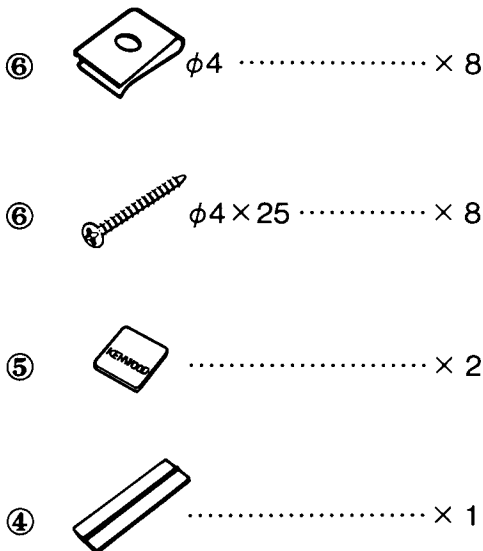
### EXTERNAL VIEW



Unit: mm(inch)

### PARTS INCLUDED

Parts included	Parti incluse
Pieces comprises	Bijgeleverde onderdelen
Mitgeliefertes zubehör	Partes incluidas



### PARTS LIST

\*New parts

Parts without **Parts No.** are not supplied.

Les articles non mentionnés dans le **Parts No.** ne sont pas fournis.

Teile ohne **Parts No.** werden nicht geliefert.

Ref No.	New parts	Parts No.	Description
②		B06-0885-08	GRILL
⑤		B43-0937-08	BADGE SET
-		B46-0100-30	WARRANTY CARD
-		B61-0688-00	INSTRUCTION MANUAL
③		F09-1097-08	PROTECTOR
④		J69-0117-08	BUTYL RUBBER
⑥		N99-1282-08	SCREW SET
①	*	T06-0334-08	SPEAKER

### SPECIFICATIONS

Speaker ————— 100mm(4 in) Injection  
P.P. Cone Type 227g(8 oz) Magnet

Peak Power ————— 150Watts

Frequency Response — 50Hz~12,000Hz

Sensitivity ————— 88dB/W at 1m

Impedance ————— 4 Ohms

Net Weight With Grille— 1,380g(3.0 lb)/Pair